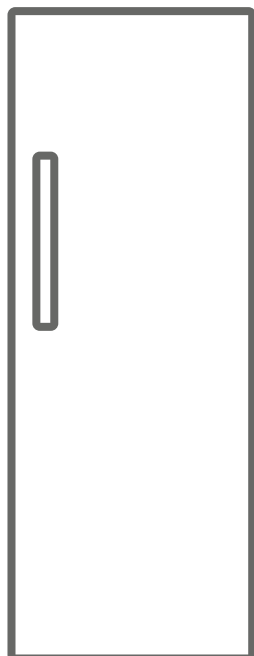


EN Larder / User manual

CZ Chladnička / Návod k obsluze

SK Chladnička / Návod na použitie



R7

CONTENTS

SAFETY INSTRUCTIONS	2
General Safety Warnings	2
During Usage	7
Installation warnings.....	8
Before using your fridge	9
Information on No-Frost technology	9
Temperature Settings Warnings	10
USING THE APPLIANCE	10
The Fresh Dial (<i>In some models</i>)	11
FOOD STORAGE	12
CLEANING AND MAINTENANCE	14
SHIPMENT AND REPOSITIONING.....	15
Transportation and Changing Positioning	15
Repositioning the Door.....	15
BEFORE CALLING AFTER-SALES SERVICE.....	16
DESCRIPTION OF THE APPLIANCE	18
TECHNICAL DATA	20
INFORMATION FOR TEST INSTITUTES.....	20
CUSTOMER CARE AND SERVICE	20

SAFETY INSTRUCTIONS

General Safety Warnings

Read this user manual carefully.

⚠ WARNING: Keep ventilation openings, in the appliance enclosure or in the built-in structure, clear of obstruction.

⚠ WARNING: Do not use mechanical devices or other means to accelerate the defrosting process, other than those recommended by the manufacturer.

⚠ WARNING: Do not use electrical appliances inside the food storage compartments of the appliance, unless they are of the type recommended by the manufacturer.

⚠ WARNING: Do not damage the refrigerant circuit.

⚠ WARNING: When positioning the appliance, ensure the supply cord is not trapped or damaged.

⚠ WARNING: Do not locate multiple portable socket-outlets or portable power supplies at the rear of the appliance.

⚠ WARNING: In order to avoid any hazards resulting from the instability of the appliance, it must be fixed in accordance with the instructions.

⚠ If your appliance uses R600a as a refrigerant (this information will be provided on the label of the cooler) you should take care during transportation and installation to prevent the cooler elements from being damaged. R600a is an environmentally friendly and natural gas, but it is explosive. In the event of a leak due to damage of the cooler elements, move your fridge away from open flames

or heat sources and ventilate the room where the appliance is located for a few minutes.

- While carrying and positioning the fridge, do not damage the cooler gas circuit.
- Do not store explosive substances such as aerosol cans with a flammable propellant in this appliance.
- This appliance is intended to be used in household and domestic applications such as:
 - staff kitchen areas in shops, offices and other working environments.
 - farm houses and by clients in hotels, motels and other residential type environments.
 - bed and breakfast type environments;
 - catering and similar non-retail applications.
- If the socket does not match the refrigerator plug, it must be replaced by the manufacturer, a service agent or similarly qualified persons in order to avoid a hazard.
- A specially grounded plug has been connected to the power cable of your refrigerator. This plug should be used with a specially grounded socket of 16 amperes. If there is no such socket in your house, please have one installed by an authorised electrician.
- This appliance can be used by children aged from 8 years and above and persons with reduced physical, sensory or mental capabilities or lack of experience and knowledge if they have been given supervision or instruction concerning use of the appliance in a safe way and understand the hazards involved. Children shall not play with the appliance. Cleaning and user maintenance shall not be made by children without supervision.

- Children aged from 3 to 8 years are allowed to load and unload refrigerating appliances. Children are not expected to perform cleaning or user maintenance of the appliance, very young children (0-3 years old) are not expected to use appliances, young children (3-8 years old) are not expected to use appliances safely unless continuous supervision is given, older children (8-14 years old) and vulnerable people can use appliances safely after they have been given appropriate supervision or instruction concerning use of the appliance. Very vulnerable people are not expected to use appliances safely unless continuous supervision is given.
- If the supply cord is damaged, it must be replaced by the manufacturer, an authorised service agent or similar qualified persons, in order to avoid a hazard.
- This appliance is not intended for use at altitudes exceeding 2000 m.

To avoid contamination of food, please respect the following instructions:

- Opening the door for long periods can cause a significant increase of the temperature in the compartments of the appliance.
- Clean regularly surfaces that can come in contact with food and accessible drainage systems
- Store **raw** meat and fish in suitable containers in the refrigerator, so that it is not in contact with or drip onto other food.
- Two-star frozen-food compartments are suitable for storing pre-frozen food, storing or making ice cream and making ice cubes. (if available)
- One-, two- and three-star compartments are not suitable for the freezing of fresh food. (if available)
- If the refrigerating appliance is left empty for long periods, switch off, defrost, clean, dry, and leave the door open to prevent mould developing within the appliance.

Old and Out-of-order Fridges

- If your old fridge or freezer has a lock, break or remove the lock before discarding it, because children may get trapped inside it and may cause an accident.
- Old fridges and freezers contain isolation material and refrigerant with CFC. Therefore, take care not to harm environment when you are discarding your old fridges.

CE Declaration of conformity

We declare that our products meet the applicable European Directives, Decisions and Regulations and the requirements listed in the standards referenced.



Disposal of your old appliance

The symbol on the product or on its packaging indicates that this product may not be treated as household waste. Instead it shall be handed over to the applicable collection point for the recycling of electrical and electronic equipment. By ensuring this product is disposed of correctly, you will help prevent potential negative



consequences for the environment and human health, which could otherwise be caused by inappropriate waste handling of this product. For more detailed information about recycling of this product, please contact your local city office, your household waste disposal service or the shop where you purchased the product.

Packaging and the Environment

Packaging materials protect your machine from damage that may occur during transportation. The packaging materials are environmentally friendly as they are recyclable. The use of recycled material reduces raw material consumption and therefore decreases waste production.

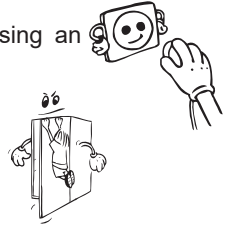


Notes:

- Please read the instruction manual carefully before installing and using your appliance. We are not responsible for the damage occurred due to misuse.
- Follow all instructions on your appliance and instruction manual, and keep this manual in a safe place to resolve the problems that may occur in the future.
- This appliance is produced to be used in homes and it can only be used in domestic environments and for the specified purposes. It is not suitable for commercial or common use. Such use will cause the guarantee of the appliance to be cancelled and our company will not be responsible for **any losses incurred**.
- This appliance is produced to be used in houses and it is only suitable for cooling / storing foods. It is not suitable for commercial or common use and/or for storing substances except for food. Our company is not responsible for **any losses incurred by inappropriate usage of the appliance**.

During Usage

- Do not connect your fridge to the mains electricity supply using an extension lead.
- Do not use damaged, torn or old plugs.
- Do not pull, bend or damage the cord.

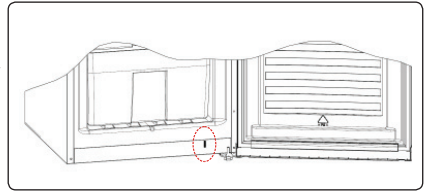


- Do not use plug adapter.
- This appliance is designed for use by adults. Do not allow children to play with the appliance or hang off the door.
- Never touch the power cord/plug with wet hands. This may cause a short circuit or electric shock.
- Do not place explosive or flammable material in your fridge. Place drinks with high alcohol content vertically in the fridge compartment and make sure their tops are tightly closed.



When the door of the fridge is closed, a vacuum seal will form. Wait for 1 minute before reopening it.

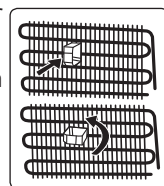
This application is optional for easy opening of the door. With this application, a little condensation may occur around this area and you may remove it.



Installation warnings

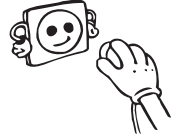
Before using your fridge for the first time, please pay attention to the following points:

- The operating voltage for your fridge is 220-240 V at 50Hz.
- The plug must be accessible after installation.
- Your fridge may have an odour when it is operated for the first time. This is normal and the odour will fade when your fridge starts to cool.
- Before connecting your fridge, ensure that the information on the data plate (voltage and connected load) matches that of the mains electricity supply. If in doubt, consult a qualified electrician.
- Insert the plug into a socket with an efficient ground connection. If the socket has no ground contact or the plug does not match, we recommend you consult a qualified electrician for assistance.
- The appliance must be connected with a properly installed fused socket. The power supply (AC) and voltage at the operating point must match with the details on the name plate of the appliance (the name plate is located on the inside left of the appliance).
- We do not accept responsibility for any damages that occur due to ungrounded usage.
- Place your fridge where it will not be exposed to direct sunlight.
- Your fridge must never be used outdoors or exposed to rain.
- Your appliance must be at least 50 cm away from stoves, gas ovens and heater cores, and at least 5 cm away from electrical ovens.
- If your fridge is placed next to a deep freezer, there must be at least 2 cm between them to prevent humidity forming on the outer surface.
- Do not cover the body or top of fridge with lace. This will affect the performance of your fridge.
- Clearance of at least 150 mm is required at the top of your appliance. Do not place anything on top of your appliance.
- Do not place heavy items on the appliance.
- Clean the appliance thoroughly before use (see Cleaning and Maintenance).
- Before using your fridge, wipe all parts with a solution of warm water and a teaspoon of sodium bicarbonate. Then, rinse with clean water and dry. Return all parts to the fridge after cleaning.
- Use the adjustable front legs to make sure your appliance is level and stable. You can adjust the legs by turning them in either direction. This must be done before placing food in the appliance.
- Install the two plastic distance guides (the parts on the black vanes -condenser- at the rear) by turning it 90° (as shown in the figure) to prevent the condenser from touching the wall.
- The distance between the appliance and back wall must be a maximum of 75 mm.



Before using your fridge

- When using your fridge for the first time, or after transportation, keep it in an upright position for at least 3 hours before plugging into the mains. This allows efficient operation and prevents damage to the compressor.
- Your fridge may have a smell when it is operated for the first time. This is normal and the smell will fade away when your fridge starts to cool.



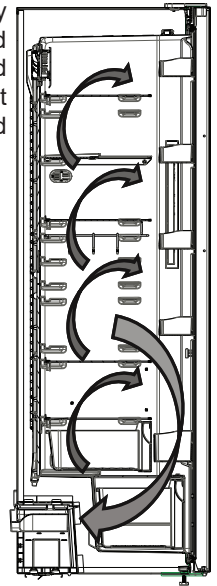
General notes:

Fresh Food Compartment (Fridge): Most efficient use of energy is ensured in the configuration with the drawers in the bottom part of the appliance, and shelves evenly distributed, position of door bins does not affect energy consumption.

Information on No-Frost technology

No-frost refrigerators differ from other static refrigerators in their operating principle.

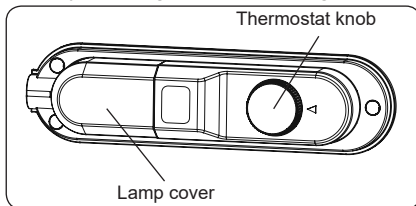
Dry and cold air is blown into the refrigerator compartment homogeneously and evenly from several points via a blower fan. Cold air dispersed homogeneously and evenly between the shelves cools all of your food equally and uniformly, thus preventing humidity. Therefore your no-frost refrigerators allows you ease of use, in addition to its huge capacity and stylish appearance.



USING THE APPLIANCE

1.1 Thermostat Setting

The fridge thermostat automatically regulates the temperature of the compartment. Fridge temperatures can be obtained by rotating the knob to higher numbers, 1 to 5.



Thermostat Settings

- Set the knob to a low/medium position, up to 3, for short-term storage of food in the appliance.
- Set the knob to a medium position, 3 or 4, for long-term storage of food in the appliance.
- For long-term storage of food in the refrigerator, you can set knob maximum position (4 - 5).

Temperature Settings Warnings

- It is not recommended that you operate your fridge in environments colder than 10°C in terms of its efficiency.
- Do not start another adjustment before completing one adjustment.
- Temperature adjustments should be made according to the frequency of door openings and the quantity of food kept inside the fridge.
- When you first switch on the appliance, allow it to operate for 24 hours in order to reach normal operating temperature. During this time, do not open the door or place a lot of food inside the appliance.
- If the appliance is switched off or unplugged, wait at least 5 minutes before plugging the appliance in or restarting it in order to prevent damage to the compressor.
- Your fridge is designed to operate within specific ambient temperature ranges, according to the climate class stated on the information label. We do not recommend operating your fridge outside the stated temperatures value limits.
- Your appliance is designed to operate in the ambient temperature (T/SN = 10°C - 43°C) intervals stated in the standards, according to the climate class displayed on the information label. We do not recommend operating your appliance out of the stated temperature limits in terms of cooling effectiveness.

Climate class and meaning:

T (tropical): This refrigerating appliance is intended to be used at ambient temperatures ranging from 16 °C to 43 °C.

ST (subtropical): This refrigerating appliance is intended to be used at ambient temperatures ranging from 16 °C to 38 °C.

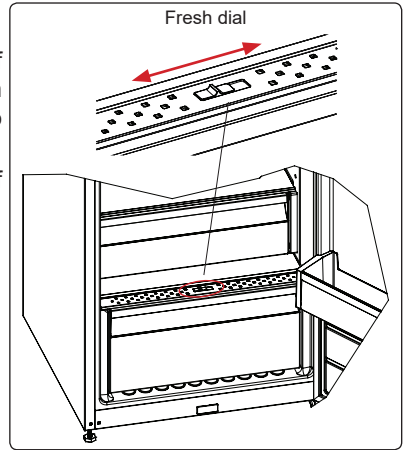
N (temperate): This refrigerating appliance is intended to be used at ambient temperatures ranging from 16 °C to 32 °C.

SN (extended temperate): This refrigerating appliance is intended to be used at ambient temperatures ranging from 10 °C to 32 °C.

The Fresh Dial (*In some models*)

If the crisper is full, the fresh dial located in front of the crisper should be opened. This allows the air in the crisper and the humidity rate to be controlled, to increase the life of food within.

The dial, located behind the shelf, must be opened if any condensation is seen on the glass shelf.




Adjustable Door Shelf (*In some models*)

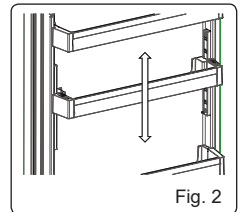
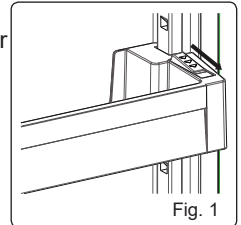
Six different height adjustments can be made to provide storage areas that you need by adjustable door shelf.

To change the position of adjustable door shelf ;

Hold the bottom of the shelf and pull the buttons on the side of the door shelf direction of arrow. (Fig.1)

Position door shelf the height you need by moving up and down. After you get the position that you want the door shelf, release the buttons on the side of the door shelf (Fig.2) Before releasing the door shelf, move up down and make sure the door shelf is fixed.

 **Note:** Before moving door shelf is loaded, you must hold the shelf by supporting the bottom. Otherwise, door shelf could fall off the rails due to the weight. So damage may occur on the door shelf or rails.



Visual and text descriptions in the accessories section may vary according to the model of your appliance.

FOOD STORAGE

- To reduce humidity and avoid the consequent formation of frost, always store liquids in sealed containers in the refrigerator. Frost tends to concentrate in the coldest parts of the evaporating liquid and, in time, your appliance will require more frequent defrosting.
- Never place warm food in the refrigerator. Warm food should be allowed to cool at room temperature and should be arranged to ensure adequate air circulation in the refrigerator compartment.
- Make sure no items are in direct contact with the rear wall of the appliance as frost will develop and packaging will stick to it. Do not open the refrigerator door frequently.
- We recommend that meat and clean fish are loosely wrapped and stored on the glass shelf just above the vegetable bin where the air is cooler, as this provides the best storage conditions.
- Store loose fruit and vegetable items in the crisper containers.
- Store loose fruit and vegetables in the crisper.
- Storing fruit and vegetables separately helps prevent ethylene-sensitive vegetables (green leaves, broccoli, carrot, etc.) being affected by ethylene-releaser fruits (banana, peach, apricot, fig etc.).
- Do not put wet vegetables into the refrigerator.
- Storage time for all food products depends on the initial quality of the food and an uninterrupted refrigeration cycle before refrigerator storage.
- To avoid cross-contamination do not store meat products with fruit and vegetables. Water leaking from meat may contaminate other products in the refrigerator. You should package meat products and clean any leakages on the shelves.
- Do not put food in front of the air flow passage.
- Consume packaged foods before the recommended expiry date.
- For normal working conditions, it will be sufficient to adjust the temperature setting of your refrigerator to +4 °C.
- The temperature of the fridge compartment should be in the range of 0-8 °C, fresh foods below 0 °C are iced and rotted, bacterial load increases above 8 °C, and spoils.
- Do not put hot food in the refrigerator immediately, wait for the temperature to pass outside. Hot foods increase the degree of your refrigerator and cause food poisoning and unnecessary spoiling of the food.
- Meat, fish, etc. should be store in the chiller compartment of the food, and the vegetable compartment is preferred for vegetables. (if available)
- To prevent cross contamination, meat products and fruit and vegetables are not stored together.
- Foods should be placed in the refrigerator in closed containers or covered to prevent moisture and odors.



NOTE: Potatoes, onions and garlic should not be stored in the refrigerator.

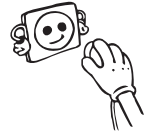
The table below is a quick guide to show you the most efficient way to store the major food groups in your refrigerator compartment.

Food	Maximum storage time	How and where to store
Vegetables and fruits	1 week	Vegetable bin
Meat and fish	2 - 3 Days	Wrap in plastic foil, bags, or in a meat container and store on the glass shelf
Fresh cheese	3 - 4 Days	On the designated door shelf
Butter and margarine	1 week	On the designated door shelf
Bottled products e.g. milk and yoghurt	Until the expiry date recommended by the producer	On the designated door shelf
Eggs	1 month	On the designated egg shelf
Cooked food		All shelves

CLEANING AND MAINTENANCE

Disconnect the unit from the power supply before cleaning.

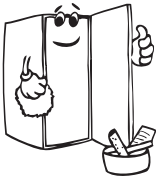
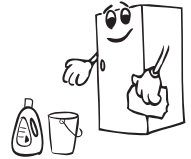
- Do not clean the appliance by pouring water.



- Make sure that no water enters the lamp housing and other electrical components.



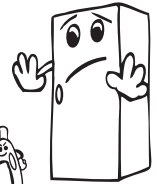
- The fridge should be cleaned periodically using a solution of bicarbonate of soda and lukewarm water.



- Clean the accessories separately with soap and water do not clean them in the dishwasher.



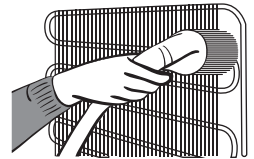
- Do not use abrasive products, detergents or soaps. After washing, rinse with clean water and dry carefully. When you have finished cleaning, reconnect the plug to the mains supply with dry hands.



- Clean the condenser with a broom at least twice a year. This will help you to save on energy costs and increase productivity.



THE POWER SUPPLY MUST BE DISCONNECTED.

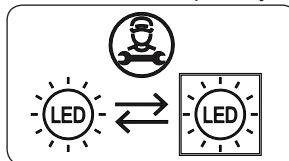


Replacing LED Lighting

To replace any of the LEDs, please contact the nearest Authorised Service Centre.



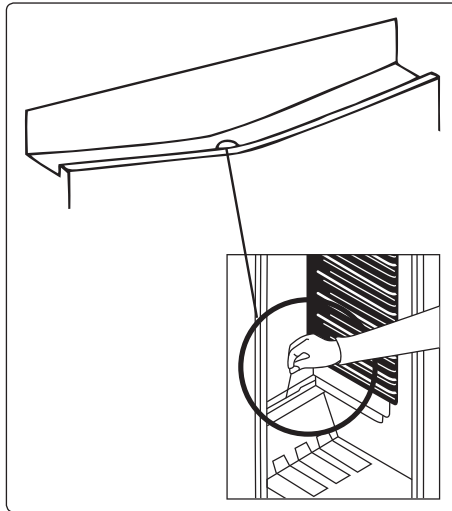
Note: The numbers and location of the LED strips may change according to the model.



This product contains a light source of energy efficiency class <F>.

Defrosting

Defrosting the Refrigerator Compartment



- Defrosting occurs automatically in the refrigerator compartment during operation. The water is collected by the evaporation tray and evaporates automatically.
- The evaporation tray and the water drain hole should be cleaned periodically with the defrost drain plug to prevent the water from collecting at the bottom of the refrigerator instead of flowing out.
- You can also clean the drain hole by pouring half a glass of water down it.

SHIPMENT AND REPOSITIONING

Transportation and Changing Positioning

- The original packaging and foam may be kept for re-transportation (optional).
- Fasten your appliance with thick packaging, bands or strong cords and follow the instructions for transportation on the packaging.
- Remove all movable parts (shelves, accessories, vegetable bins, and so on) or fix them into the appliance against shocks using bands when re-positioning or transporting.

 Always carry your appliance in the upright position.

Repositioning the Door

- It is not possible to change the opening direction of your appliance door if door handles are installed on the front surface of the appliance door.
- It is possible to change the opening direction of the door on models without handles.
- If the door-opening direction of your appliance can be changed, contact the nearest Authorised Service Centre to change the opening direction.

BEFORE CALLING AFTER-SALES SERVICE

If your refrigerator is not working properly, there may be a minor problem. Check the following.

The appliance does not operate

Check if:

- There is power
- The mains is connected
- The thermostat setting is on the “•” position
- The socket is defective. To check this, plug another working appliance into the same socket.

The appliance performs poorly

Check if:

- The appliance is overloaded
- The doors are closed properly
- There is any dust on the condenser
- There is enough space near the rear and side walls.

The appliance is noisy

The cooling gas which circulates in the refrigerator circuit may make a slight noise (bubbling sound) even when the compressor is not running. Do not worry, this is normal. If you hear a different sound, check whether:

- The appliance is level
- Anything is touching the rear of the appliance
- Objects in the appliance are vibrating.

Your refrigerator is operating noisily

The following noises can be heard during normal operation of the appliance.

Cracking (ice cracking) noise occurs:

- During automatic defrosting.
- When the appliance is cooled or warmed (due to expansion of appliance material).

Clicking noise occurs: When the thermostat switches the compressor on/off.

Motor noise: Indicates the compressor is operating normally. The compressor may cause more noise for a short time when it is first activated.

Bubbling noise and splashing occurs: Due to the flow of the refrigerant in the tubes of the system.

Water flowing noise occurs: Due to water flowing to the evaporation container. This noise is normal during defrosting.

There is water in the lower part of the refrigerator

Check if:

The drain hole for the water is not clogged (use defrost drain plug to clean the drain hole).

Recommendations

- If the appliance is switched off or unplugged, wait at least 5 minutes before plugging the appliance in or restarting it in order to prevent damage to the compressor.
- The cooling unit of your refrigerator is located at the rear of the appliance. Therefore,

water droplets or ice may form on the rear surface of your fridge due to the operation of the compressor at specified intervals. This is normal, there is no need to perform a defrosting operation unless there is excessive ice.

- If you do not intend to use your fridge for a long period of time (such as during the summer holidays), set the thermostat to “•” position, defrost and clean your fridge, leaving the door open to prevent the formation of mildew and odour.
- If a problem persists after you have followed all the above instructions, please consult the nearest authorised service centre.
- The appliance you have purchased is designed for domestic use only. It is not suitable for commercial or common use. If the consumer uses the appliance in a way that does not comply with this, we emphasise that the manufacturer and the dealer will not be responsible for any repair and failure within the guarantee period.

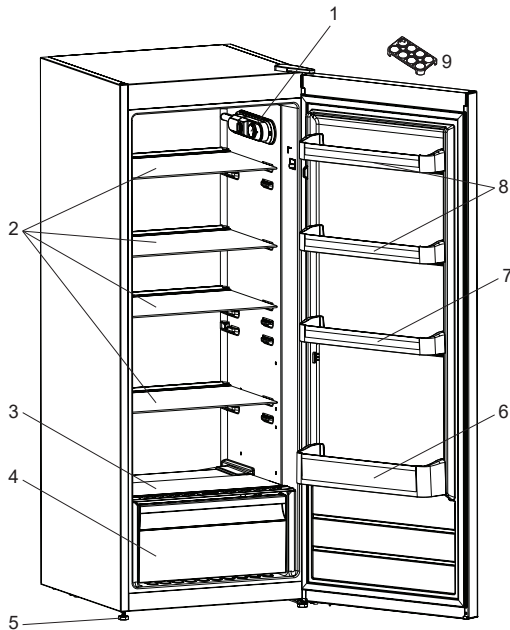
TIPS FOR SAVING ENERGY

1. Install the appliance in a cool, well-ventilated room, but not in direct sunlight and not near a heat source (such as a radiator or oven) otherwise an insulating plate should be used.
2. Allow warm food and drinks to cool before placing them inside the appliance.
3. Place thawing food in the refrigerator compartment. The low temperature of the frozen food will help cool the refrigerator compartment while the food is thawing. This will save energy. Frozen food left to thaw outside of the appliance will result in a waste of energy.
4. Drinks or other liquids should be covered when inside the appliance. If left uncovered, the humidity inside the appliance will increase, therefore the appliance uses more energy. Keeping drinks and other liquids covered helps preserve their smell and taste.
5. Avoid keeping the doors open for long periods and opening the doors too frequently as warm air will enter the appliance and cause the compressor to switch on unnecessarily often.
6. Keep the covers of the different temperature compartments (such as the crisper and chiller) closed.
7. The door gasket must be clean and pliable. **In case of wear, if your gasket is detachable, replace the gasket. If not detachable, you have to replace the door.**

DESCRIPTION OF THE APPLIANCE

This refrigerating appliance is not suitable for freezing foodstuffs.

This refrigerating appliance is not intended to be used as a built-in appliance.

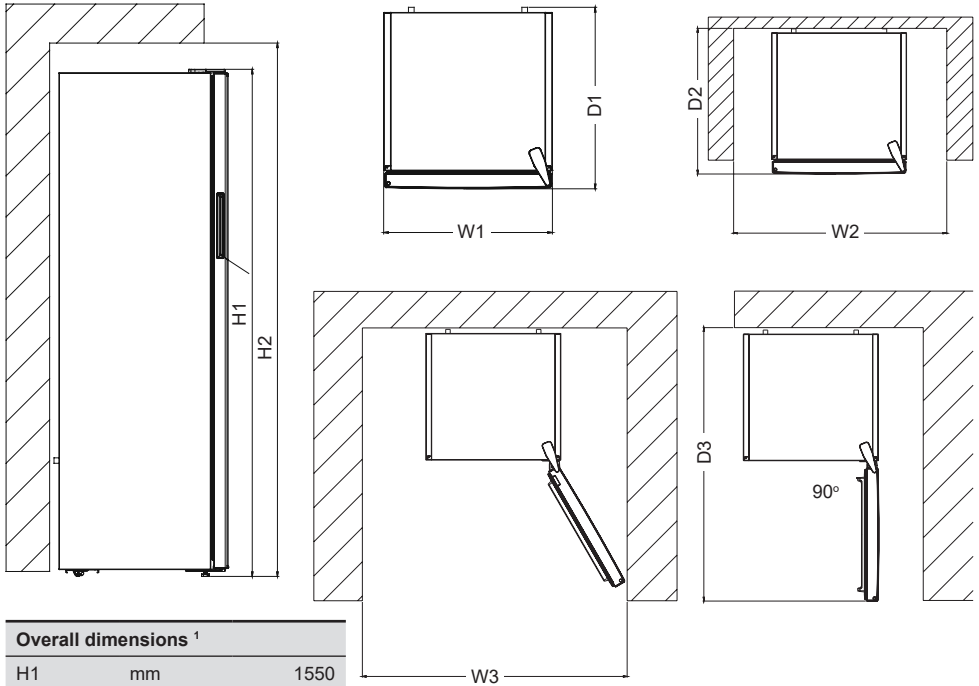


This presentation is only for information about the parts of the appliance. Parts may vary according to the appliance model.

- 1) Thermostat knob
- 2) Refrigerator shelves
- 3) Crisper cover
- 4) Crisper
- 5) Levelling feet
- 6) Bottle shelf
- 7) Adjustable door shelf * / Door shelf
- 8) Door shelves
- 9) Egg holder

** In some models*

1.2 Dimensions



Overall dimensions ¹		
H1	mm	1550
W1	mm	595
D1	mm	650

¹ the height, width and depth of the appliance without the handle.

Space required in use ²		
H2	mm	1700
W2	mm	695
D2	mm	744,1

² the height, width and depth of the appliance including the handle, plus the space necessary for free circulation of the cooling air.

Overall space required in use ³		
W3	mm	981,5
D3	mm	1243,5

³ the height, width and depth of the appliance including the handle, plus the space necessary for free circulation of the cooling air, plus the space necessary to allow door opening to the minimum angle permitting removal of all internal equipment.

TECHNICAL DATA

The technical information is situated in the rating plate on the internal side of the appliance and on the energy label.

The QR code on the energy label supplied with the appliance provides a web link to the information related to the performance of the appliance in the EU EPREL database.

Keep the energy label for reference together with the user manual and all other documents provided with this appliance.

Information on the model in the product database defined in Regulation (EU) 2019/2016 can be found via the following internet link: <https://eprel.ec.europa.eu/qr/400022>

See the link www.theenergylabel.eu for detailed information about the energy label.

INFORMATION FOR TEST INSTITUTES

Appliance for any EcoDesign verification shall be compliant with EN 62552.

Ventilation requirements, recess dimensions and minimum rear clearances shall be as stated in this User Manual at **Chapter 2**. Please contact the manufacturer for any other further information, including loading plans.

CUSTOMER CARE AND SERVICE

Authorized service center contact information can be found at www.lord.eu.

Spare parts can also be ordered at the authorized service center.

According to the respective ecodesign regulation, spare parts can be obtained from the authorized service center for at least 7 or 10 years (based on the spare part type) since the last appliance model item has been placed on the market of the European Economic Area.

Please have the identification mark of the model and the serial number at hand before contacting the authorized service center.

The identification mark of the model and the serial number of the product can be found at the rating label placed inside the fridge zone on the left lower side.

We recommend that you write the data from the production label into this manual before you place the appliance to the place where it will be operated to facilitate finding the data later. Always use original spare parts.

Obsah

POKYNY K POUŽITÍ	22
Obecná upozornění	22
Informace o technologii No-Frost	28
INFORMACE O POUŽITÍ	29
Varování ohledně nastavení teploty	29
Příslušenství	30
Možnost čerstvosti.....	30
Nastavitelná polička ve dveřích	30
ROZMÍSTĚNÍ POTRAVIN VE SPOTŘEBIČI	31
ČIŠTĚNÍ A ÚDRŽBA	32
Odmrazování.....	33
PŘEPRAVA A ZMĚNA MÍSTA INSTALACE	33
Změna otevírání dvířek	33
NEŽ SE OBRÁTÍTE NA POPRODEJNÍ SERVIS	34
Tipy pro úsporu energie.....	35
ČÁSTI SPOTŘEBIČE A PŘÍSLUŠENSTVÍ	36
Tento chladicí spotřebič není vhodný pro mražení potravin	36
Tento chladicí spotřebič není určen k vestavění	36
TECHNICKÉ ÚDAJE	38
INFORMACE PRO ZKUŠEBNÍ INSTITUTY	38
PÉČE O ZÁKAZNÍKY A SERVIS	38

POKYNY K POUŽITÍ

Obecná upozornění

⚠ VAROVÁNÍ: Větrací otvory udržujte bez překážek.

⚠ VAROVÁNÍ: Nepoužívejte mechanické nástroje nebo jiné prostředky k urychlení procesu odmrazení s výjimkou těch, které doporučuje výrobce..

⚠ VAROVÁNÍ: V prostoru pro skladování potravin nepoužívejte elektrické spotřebiče, s výjimkou těch, které doporučuje výrobce.

⚠ VAROVÁNÍ: Nepoškodte chladicí okruh.

⚠ VAROVÁNÍ: Abyste předešli nebezpečí z důvodu nestability spotřebiče, je třeba ho upevnit v souladu s pokyny.

⚠ VAROVÁNÍ: Když umístíte spotřebič, ujistěte se, že není elektrický kabel zauzlováný nebo poškozený.

⚠ VAROVÁNÍ: Neumístujte žádné vícenásobné rozbočovací zásuvky ani přenosné zdroje napájení na zadní část spotřebiče.



Symbol ISO 7010 W021

Varování; Riziko požáru / hořlavých materiálů

- Pokud vaše chladnička používá jako chladivo R600a - bude to vyznačeno na štítku na chladicím zařízení - musíte si dát pozor během přepravy a montáže, aby nedošlo k poškození chladicích prvků spotřebiče. I když je R600a ekologický a přírodní plyn, je výbušný. Pokud dojde k velkému úniku z důvodu poškození chladicích prvků, přemístěte chladničku od otevřeného ohně nebo zdrojů tepla a místnost, v níž je spotřebič umístěn, několik minut větrejte.
- Během přenášení a umístování chladničky dejte pozor,

abyste nepoškodili chladicí okruh plynu.

- Neskladujte výbušné substance, např. plechovky s aerosolem, neboť ty mohou v tomto spotřebiči způsobit vznik požáru.
- Tento spotřebič je určený k použití v domácnosti a podobných zařízeních, např. ;
 - kuchyňky pro zaměstnance v obchodech, kancelářích a ostatních pracovních prostředích
 - pro klienty v hotelech, motelech a ostatních obytných prostorech
 - pro klienty v penzionech;
 - pro catering a ostatní podobná prostředí
- Pokud zásuvka neodpovídá zástrčce chladničky, musí ji vyměnit kvalifikované osoby, aby se tak předešlo nebezpečí.
- Tento přístroj nesmí používat osoby (včetně dětí) s omezenými tělesnými, smyslovými nebo mentálními schopnostmi anebo osoby bez příslušných znalostí a zkušeností, pokud nejsou pod dozorem anebo nebyli poučeni o užívání tohoto přístroje osobou, která odpovídá za jejich bezpečnost. Děti musí být pod dozorem, aby si s přístrojem nehrály.
- Speciálně uzemněná zástrčka byla připojena k napájecímu kabelu vaší chladničky. Tato zástrčka musí být použita se speciálně uzemněnou zástrčkou s 16 ampéry. Nemáte-li doma takovou zástrčku, nechte ji nainstalovat autorizovaným elektrikářem.
- Děti ve věku od 3 do 8 let smí nakládat a vykládat chladicí spotřebiče. Děti nemají provádět údržbu nebo čištění spotřebiče, velmi malé děti (0 až 3 let) nemají

používat spotřebič, malé děti (3 až 8 let) nemají používat spotřebič, pokud jsou bez stálého dozoru, starší děti (8 až 14 let) a lidé s omezenými fyzickými nebo duševními schopnostmi mohou používat spotřebiče bezpečně, pokud jsou pod dozorem nebo byli o bezpečném použití spotřebiče náležitě instruováni. Lidé s velice omezenými schopnostmi nemají používat spotřebič, dokud nejsou pod stálým dozorem.

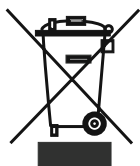
- Tento spotřebič mohou používat děti starší 8 let a osoby s omezenými tělesnými, smyslovými nebo mentálními schopnostmi anebo osoby bez příslušných znalostí a zkušeností, pokud jsou pod dozorem nebo byly poučeny o bezpečném užívání tohoto přístroje a chápou související nebezpečí. Děti si se zařízením nesmí hrát. Čištění a údržba nesmí být prováděny dětmi bez dohledu dospělé osoby.
- Pokud je napájecí kabel poškozen, musí jej vyměnit výrobce, jeho servisní zástupce nebo obdobně kvalifikovaná osoba, aby se předešlo riziku.
- Tento spotřebič není určen k použití v nadmořských výškách nad 2000 m.

Aby nedošlo ke kontaminaci jídla, dodržujte prosím následující pokyny:

- Ponechání dvířek v otevřeném stavu po dlouhou dobu může způsobit výrazný nárůst teploty uvnitř oddělení spotřebiče.
- Pravidelně očišťujte povrchy, které přichází do kontaktu s jídlem, a také přístupné odtokové systémy.
- Syrové maso a ryby uchovávejte v chladničce ve vhodných kontejnerech, aby nedocházelo k jejich kontaktu s jinými potravinami nebo ukápnutí na ně.
- Oddělení pro mražené potraviny označená dvěma hvězdičkami jsou vhodná pro uchovávání předem zmražených potravin, uchovávání nebo výrobu zmrzliny a výrobu ledových kostek. (pokud je součástí spotřebiče)
- Oddělení označená jednou, dvěma nebo třemi hvězdičkami nejsou vhodná pro zmrazení čerstvého jídla. (pokud je součástí spotřebiče)
- Pokud chladicí zařízení je ponecháno prázdné po dlouhou dobu, je nutné ho vypnout, rozmrazit, očistit, osušit a ponechat dvířka otevřená, abyste zabránili tvorbě plísní uvnitř spotřebiče.

Staré a nefunkční lednice

- Pokud má Vaše stará chladnička zámek, před vyřazením jej rozbijte či odstraňte, protože se tam mohou děti uvěznit a způsobit si poranění.
- Staré chladničky a mrazáky obsahují izolační materiál a chladicí kapalinu s CFC. Proto buďte při vyřazování staré chladničky opatrní, abyste nepoškodili životní prostředí.



Symbol na výrobku nebo jeho balení udává, že tento výrobek nepatří do domácího odpadu. Je nutné odvézt ho do sběrného místa pro recyklaci elektrického a elektronického zařízení. Zajištěním správné likvidace tohoto výrobku pomůžete zabránit negativním důsledkům pro životní prostředí a lidské zdraví, které by jinak byly způsobeny nevhodnou likvidací tohoto výrobku. Podrobnější informace o recyklaci tohoto výrobku zjistíte u příslušného místního úřadu, služby pro likvidaci domovního odpadu nebo v obchodě, kde jste výrobek zakoupili.

Obaly a životní prostředí

Obalové materiály chrání váš spotřebič před poškozením, které může nastat během přepravy. Obalové materiály jsou šetrné k životnímu prostředí, protože jsou recyklovatelné. Použití recyklovaného materiálu snižuje spotřebu surovin, a proto snižuje produkci odpadu.

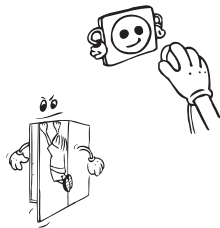


Poznámky:

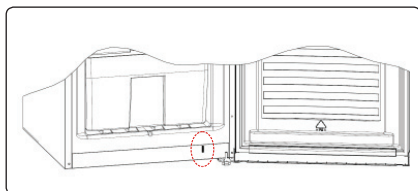
- Před instalací a používáním spotřebiče pečlivě pročtěte návod na použití. **Naše firma není zodpovědná za poškození způsobené nesprávným užíváním.**
- Následujte instrukce na spotřebiči a návod k použití, návod uchovejte na bezpečném místě kvůli vyřešení problémů, které mohou nastat v budoucnosti.
- Tento spotřebič je vyroben pro použití v domácnostech a může být použit pouze v domácnosti a pro stanovené účely. Není vhodný pro komerční nebo jiné účely. Takovéto použití způsobí zrušení záruky na spotřebič a naše firma nebude zodpovědná za způsobené ztráty.
- Tento přístroj je vyroben pro použití v domácnostech a je vhodný pouze pro chlazení/skladování potravin. Spotřebič není vhodný pro komerční a běžné použití a/nebo skladování látek jiných než potraviny. Naše firma není zodpovědná za ztráty způsobené při takovémto používání.

Bezpečnostní upozornění

- Nepoužívejte vícenásobné zásuvky nebo prodlužovací kabel.
- Nezapojte poškozené, přetržené či staré zástrčky.
- Za kabel nikdy netahejte, neohýbejte ho či ho neničte.



- Nenechávejte děti hrát si s lednicí nebo věšet se na dveře, tento spotřebič je určen pro použití dospělými.
- Nezapojte či nevypojte zástrčku mokřima rukama, předejete tak úrazu elektrickým proudem.
- Do lednice nevkládejte výbušný či zápalný materiál.
- Nápoje s vyšším obsahem alkoholu vkládejte do lednice svisle a uzavřené.
- Tělo či vrchní část lednice nepřekrývejte tkaninou. Ovlivňuje to výkon lednice.
- Při stěhování lednice upevněte vybavení tak, aby se nerozbilo.
- **Když jsou dvířka mrazničky zavřená, vzniká vakuum. Než ji znovu otevřete, počkejte 1 minutu.**
- Tento spotřebič má snadné otevírání dveří. U tohoto spotřebiče může dojít v dané oblasti k vzniku malé kondenzace.



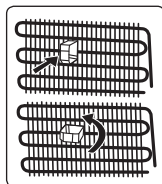
Instalace a obsluha lednice

Před použitím lednice věnujte pozornost následujícím bodům:

- Provozní napětí lednice je 220-240 V na 50 Hz.
- Za škody vzniklé neuzemněnou zásuvkou neneseme odpovědnost.
- Lednici umístěte na místo, kde nebude vystavena přímému slunečnímu záření.
- Spotřebič musí být alespoň 50 cm od zdrojů tepla, jako jsou vařiče, trouby, radiátory a plotny a alespoň 5 cm od elektrických sporáků.
- Lednice nesmí nikdy být používána venku a ponechána na dešti.
- Pokud je lednice umístěna vedle mrazáku, ponechte mezi jednotkami mezeru minimálně 2 cm. Předejete tak vlhkosti na vnějším povrchu.
- Na lednici nic nepokládejte a lednici umístěte tak, aby bylo nad lednicí místo alespoň 15 cm.
- Nastavitelné přední nohy by měly být nastaveny aby byl spotřebič vyrovnaný a stabilní. Nohy lze nastavit otočením ve směru hodinových ručiček (nebo v opačném směru). Učiňte tak před umístěním potravin do lednice.
- Před prvním použitím lednice všechny části utřete teplou vodou se sodou, poté pláchněte a vysušte. Po vyčištění vraťte všechny části zase zpět do lednice.



- Namontujte plastové rozpěry (část s černými žebry na zadní straně) otočením o 90° tak, jak je ukázáno na obrázku, zabráníte tak tomu, aby se kondenzátor dotýkal stěny.
- Chladnička by měla být umístěna u zdi s volnou vzdáleností 75 mm.



Před prvním použitím lednice

- Pokud používáte lednici poprvé nebo po převozu, ponechte lednici postavenou a po třech hodinách a zapojte ji. Jinak se může poškodit kompresor.
- Váš spotřebič může při prvním spuštění zapáchat; zápach zmizí jakmile se spustí chlazení.

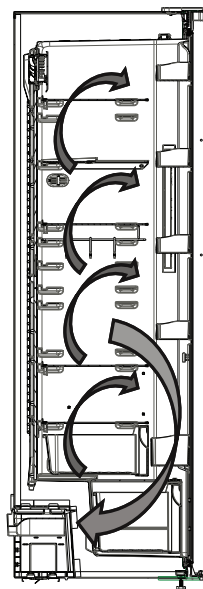


Informace o technologii No-Frost

Chladničky No-Frost se od ostatních chladniček liší svým principem fungování.

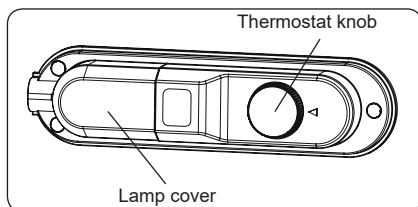
Suchý studený vzduch je vháněn do chladničky rovnoměrně z různých míst pomocí ventilátoru. Chladný vzduch se rovnoměrně rozptýlí mezi poličky, ochlazuje tak rovnoměrně potraviny a brání vzniku vlhkosti a námrazy. Kromě spousty úložného prostoru a moderního vzhledu se vám beznámrazová chladnička také bude snadněji používat.

Oddělení pro čerstvé potraviny (Chladnička): Neefektivnější využití energie je zajištěno při umístění zásuvek ve spodní části chladničky a rovnoměrném umístění polic, zatímco pozice košíků na dvířkách chladničky spotřebu energie neovlivňuje.



INFORMACE O POUŽITÍ

Nastavení termostatu



Teplotu v chladničce automaticky reguluje termostat. Chcete-li teplotu změnit, otočte kolečkem z pozice 1 do pozice 2 až 5 (5 je nejchladnější).

Důležitá poznámka: Termostat nenastavujte pod pozici 1, neboť v takovém případě váš spotřebič přestane fungovat.

Varování ohledně nastavení teploty

- Nedoporučujeme používat chladničku, pokud teplota okolí klesne pod 10 °C, neboť její provoz by za takovýchto podmínek nebyl efektivní.
- Než dokončíte nastavení, nepřecházejte k jinému nastavení.
- Nastavení teploty musí být provedeno v souladu s frekvencí otevírání dveří a množstvím potravin uložených v chladničce.
- Vaše chladnička musí být provozována 24 hodin v dané okolní teplotě bez přerušení, aby došlo k naprostému vychlazení.
- Dveře chladničky neotevírejte často a v tuto dobu do ní nevkládejte příliš velké množství potravin.
- Funkce 5 minutové prodlevy slouží k tomu, aby se předešlo poškození kompresoru chladničky, když odpojíte zástrčku a potom ji znovu zapojíte nebo když dojde k výpadku napájení. Vaše chladnička začne fungovat normálně po 5 minutách.
- Vaše chladnička je navržena tak, aby pracovala v intervalech uvedených ve standardech, v souladu s třídou uvedenou na informačním štítku. Nedoporučujeme spuštění vaší chladničky mimo uvedené limity, aby bylo možné dosáhnout efektivního chlazení.

- rozšířené mírné pásmo: tento chladicí spotřebič je určen k používání při teplotách okolí od 10 °C do 32 °C (SN);

- mírné pásmo: tento chladicí spotřebič je určen k používání při teplotách okolí od 16 °C do 32 °C (N);

- subtropické pásmo: tento chladicí spotřebič je určen k používání při teplotách okolí od 16 °C do 38 °C (ST);

- tropické pásmo: tento spotřebič je určen k používání při teplotách okolí od 16 °C do 43 °C (T);

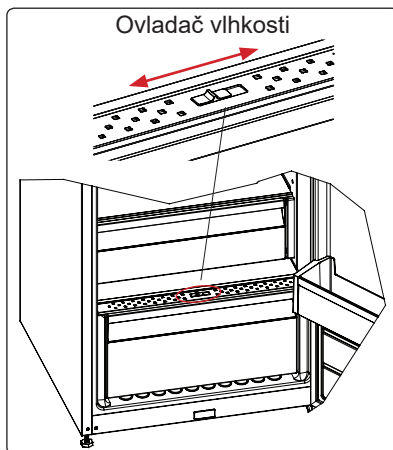
Příslušenství

Možnost čerstvosti

Ovladač vlhkosti v uzavřené pozici umožní delší skladování čerstvého ovoce a zeleniny.

V případě, že je zásobník na zeleninu úplně plný, lze otevřít kolečko před zásobníkem. Když ho otevřete, bude se kontrolovat teplota a vlhkost vzduchu v crisperu a potraviny vydrží déle.

Pokud na skleněné policiце uvidíte kondenzaci, nastavte ovládání vlhkosti do otevřené pozice.



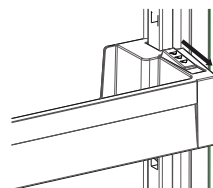
Nastavitelná policička ve dveřích (u některých modelů)

K vytvoření úložných ploch, které potřebujete, můžete použít nastavitelnou policičku ve dveřích.

Změna pozice nastavitelné policičky ve dveřích ;

Přidrže tlačítko policičky a zatlačte na tlačítka po stranách policičky ve dveřích ve směru šipky. (Obr. 1)

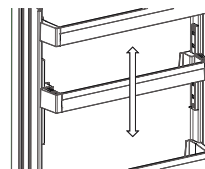
Poličku ve dveřích umístěte do potřebné výšky, posunutím nahoru a dolů.



Obr. 1

Po dosažení požadované pozice policičky ve dveřích uvolněte tlačítka po stranách policičky (Obr. 2). Před uvolněním policičky ve dveřích ji přesuňte nahoru a dolů a ujistěte se, zda je policička ve dveřích upevněna.

Poznámka: Před přesunutím naplněné policičky ve dveřích musíte policičku přidržet pomocí tlačítka. V opačném případě by mohla policička ve dveřích v důsledku hmotnosti vyklouznout z drážek. Tak by se mohla policička ve dveřích nebo drážky poškodit.



Obr. 2

Vizuální a textové popisy na části s příslušenstvím se mohou lišit podle modelu vašeho spotřebiče.

ROZMÍSTĚNÍ POTRAVIN VE SPOTŘEBIČI

Prostor chladničky se používá ke skladování čerstvých potravin po dobu několika dnů.

- Potraviny nekládejte tak, aby byly v přímém kontaktu se zadní stěnou prostoru chladničky. Okolo potravin nechte určitý prostor, abyste tak umožnili cirkulaci vzduchu.
- Nevkládejte do chladničky horké potraviny nebo nápoje.
- Potraviny vždy skladujte v uzavřených nádobách nebo zabalené.
- Abyste snížili vlhkost a následnou tvorbu námrazy, nikdy neumísťujte kapaliny do neutěsněných nádob.
- Maso všech typů, zabalené do sáčků, se doporučuje vložit na skleněnou policičku nad zásuvkou na zeleninu, kde je vzduch chladnější.
- Ovoce a zeleninu můžete vkládat do crisperu nezabalené.
- Abyste předešli úniku chladného vzduchu, neotevírejte dveře příliš často a nenechávejte je dlouho otevřené.
- Za normálních pracovních podmínek postačí upravit nastavení teploty chladničky na +4 °C.
- Teplota chladicího oddílu by měla být v rozmezí 0–8 °C, čerstvé potraviny při teplotě pod 0 °C namrzají a pak se kazí a při teplotě nad 8 °C se zvyšuje množství bakterií a potraviny se kazí.
- Nevkládejte do chladničky horká jídla, nechte je zchladnout na pokojovou teplotu. Horká jídla zvyšují teplotu chladničky a mohou způsobit otravu jídlem nebo zbytečné zkažení potravin.
- Maso, ryby a podobné potraviny by měly být skladovány v chilleru a zelenina v přihrádce na zeleninu (pokud je k dispozici).
- Aby se zabránilo křížové kontaminaci, neuchovávejte masné výrobky s ovocem a zeleninou.
- Potraviny v chladničce mají být uchovávány v uzavřených nádobách nebo v jiných vhodných obalech tak, aby do chladničky neuvolňovaly pachy a vlhkost.

Potraviny	Délka skladování	V které části chladničky skladovat
Ovoce a zelenina	1 týden	Do zásuvky crisper (bez obalu)
Maso a ryby	2-3 dny	Zakryté plastovou fólií nebo sáčky nebo v boxu na maso (na skleněné policičce)
Čerstvý sýr	3-4 dny	Ve speciální policičce ve dveřích
Máslo a margarín	1 týden	Ve speciální policičce ve dveřích
Produkty v lahvičích, mléko a jogurt	Do expirace doporučené výrobcem	Ve speciální policičce ve dveřích
Vejce	1 měsíc	V zásobníku na vajíčka
Vařené potraviny		Všechny policičky

ČIŠTĚNÍ A ÚDRŽBA

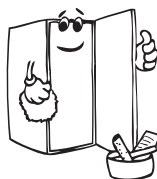
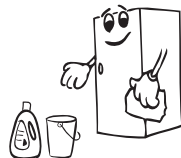
- Před přistoupením k čištění nejprve odpojte chladničku od napájení vytažením zástrčky napájecího kabelu ze zásuvky.



- Je zakázáno čistit chladničku nalitím vody do vnitřního prostoru..



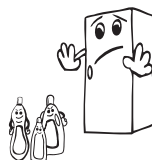
- Vnitřní a vnější povrch spotřebiče lze otřít měkkým hadříkem (nebo houbičkou) namočeným do teplé vody s trochou prostředku na mytí nádobí.



- Jednotlivé komponenty vyjímáte ze spotřebiče postupně a umyjte je ve vodě s trochou prostředku na mytí nádobí. Tyto komponenty nelze mýt v myčce nádobí.



- Nepoužívejte abrazivní prostředky, saponáty ani mýdla. Po umytí vše opláchněte čistou vodou a důkladně vysušte. Po ukončení čištění připojte spotřebič k napájení zasunutím zástrčky suchou rukou do zásuvky.




- Kondenzátor (černý prvek na zadní straně ledničky) je třeba čistit pomocí měkkého kartáče minimálně jednou ročně. Tímto způsobem umožníte chladničce pracovat efektivněji a s menší spotřebou energie.

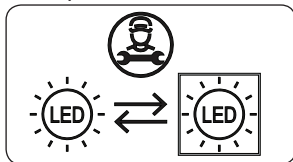


NAPÁJENÍ MUSÍ BÝT VŽDY ODPOJENO

Výměna LED osvětlení

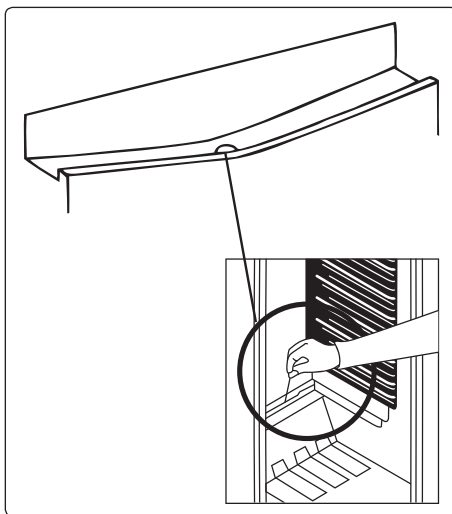
Chcete-li vyměnit kteroukoli z LED diod, kontaktujte nejbližší autorizované servisní středisko.

 **Poznámka:** Počet a umístění LED pásků se může lišit v závislosti na modelu.



Tento výrobek obsahuje světelný zdroj s třídou energetické účinnosti <F>.

Odmrazování



- K odmrázování dochází během provozu chladničky automaticky, voda se hromadí ve výparníku a automaticky se odpařuje.
- Odpařovací zásobník a otvor pro odtékání vody musí být pravidelně čištěny, aby se předešlo hromadění neodtékající vody ve spodní části chladničky.

PŘEPRAVA A ZMĚNA MÍSTA INSTALACE

Přeprava a změna místa instalace

- Originální obal a polystyrénovou pěnu si můžete uschovat pro případnou přepravu spotřebiče v budoucnu (volitelné).
- V případě opětovné přepravy použijte silný obal, popruhy nebo silné provazy a postupujte v souladu s pokyny pro přepravu uvedenými na originálním přepravním obalu.
- Vyjměte veškeré pohyblivé příslušenství (police, přihrádky na ovoce a zeleninu apod.) nebo upevněte uvnitř spotřebiče tak, aby se během přemísťování a přepravy nemohlo pohybovat.

Chladničku vždy přepravujte ve svislé poloze.

Změna otevírání dvířek

- Nelze změnit směr otevírání dvířek chladničky, pokud je madlo připevněno k čelní straně těchto dvířek.
- Směr otevírání dvířek lze změnit u modelů, které nejsou vybaveny madly.
- Pokud lze změnit směr otevírání dvířek Vaší chladničky, kontaktujte nejbližší autorizovaný servis, který provede změnu směru jejich otevírání.

NEŽ SE OBRÁTÍTE NA POPRODEJNÍ SERVIS

Jestliže chladnička nefunguje správně, dříve než zavoláte servisního technika, zkontrolujte přístroj podle následujících instrukcí:

Co dělat, když vaše chladnička nefunguje

Zkontrolujte, zda:

- je v pořádku přívod elektrické energie,
- není odpojen hlavní spínač ve vašem domě,
- termostat není nastaven na polohu 1/Off,
- je v pořádku zásuvka. Pro kontrolu zapojte jiné zařízení, o kterém víte, že funguje, do stejné zásuvky.

Co dělat, jestliže je výkon chladničky malý

Zkontrolujte, zda:

- zařízení není přetíženo,
- jsou řádně dovřená dvířka,
- není prach v kondenzátoru,
- je dost místa u zadní stěny a bočních stěn.

Pokud se vyskytuje hluk

Chladicí plyn, který cirkuluje v obvodu chladničky, může způsobovat mírný hluk (bublající zvuk) dokonce v případě, kdy kompresor není v chodu. Nedělejte si starosti, je to zcela normální. Pokud jsou tyto zvuky jiné, zkontrolujte, zda:

- je zařízení dobře vyrovnáno,
- se nic nedotýká zadní strany,
- hmota (látka) na zařízení vibruje

Pokud je ve spodní části chladničky voda

Zkontrolujte, zda:

- Otvor pro odvádění vody z odmrazování není ucpan (použijte zátku pro odvod vody z odmrazování a vyčistěte otvor).

Doporučení

- Pro zvětšení prostoru a zlepšení vzhledu je „chladicí zařízení“ umístěno uvnitř zadní stěny chladničky. Když je zařízení v chodu, tato stěna je pokryta námrazou nebo kapkami vody (závisí na počasí a zda je kompresor v chodu nebo ne). Nedělejte si starosti, toto je zcela normální. Zařízení by mělo být odmraženo pouze v případě, že se na stěně vytvoří mimořádně silná vrstva ledu.
- Pokud není zařízení používáno dlouhou dobu (například během letních dovolených), chladničku odmražte, vyčistěte a ponechte dvířka otevřená. Zamezíte vzniku zápachu.
- Pro vypnutí odpojte chladničku ze zásuvky (čištění a pokud jsou dvířka ponechána otevřená).

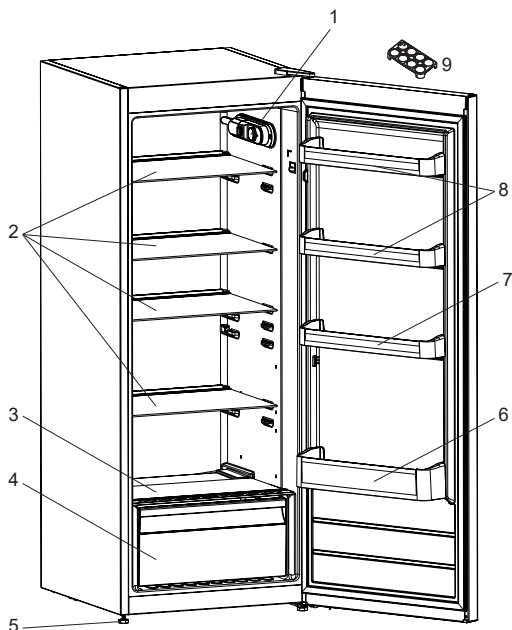
Tipy pro úsporu energie

1. Spotřebič je nutno instalovat v chladné, dobře ventilované místnosti dle klimatické třídy spotřebiče bez přístupu přímého slunečního záření a mimo dosah tepelných zdrojů (topná tělesa, sporáky atp.). V opačném případě musí být použity izolační desky.
2. Teplé potraviny a nápoje je třeba nechat vychladnout mimo spotřebič.
3. Pokud chcete rozmrazit zmrazené potraviny, umístěte je do chladicího prostoru spotřebiče. Nízká teplota zmrazených potravin snížit teplotu v chladicím prostoru spotřebiče a uspořit tak energii. Pokud rozmrazujete zmrazené potraviny mimo spotřebič, k úspoře energie nedojde.
4. Nádoby s nápoji a jinými tekutinami, které chcete uskladnit v chladničce, musí být uzavřené víkem. V opačném případě stoupne vlhkost uvnitř spotřebiče, což povede k prodloužení jeho provozu. Kromě toho pomůže zakrytí nádoby s nápoji nebo jinými tekutinami uchovat jejich vůni a chuť.
5. Při vkládání nápojů a potravin do spotřebiče omezte dobu, po kterou jsou dvířka otevřená, na minimum.
6. Kryty jednotlivých sekcí spotřebiče, v nichž panují rozdílné teploty, musí být vždy těsně uzavřeny (příhrádka na zeleninu).
7. Těsnění dvířek chladničky musí být čisté a pružné. Opatřebované těsnění musíte vyměnit za nové).

ČÁSTI SPOTŘEBIČE A PŘÍSLUŠENSTVÍ

Tento chladicí spotřebič není určen k vestavění.

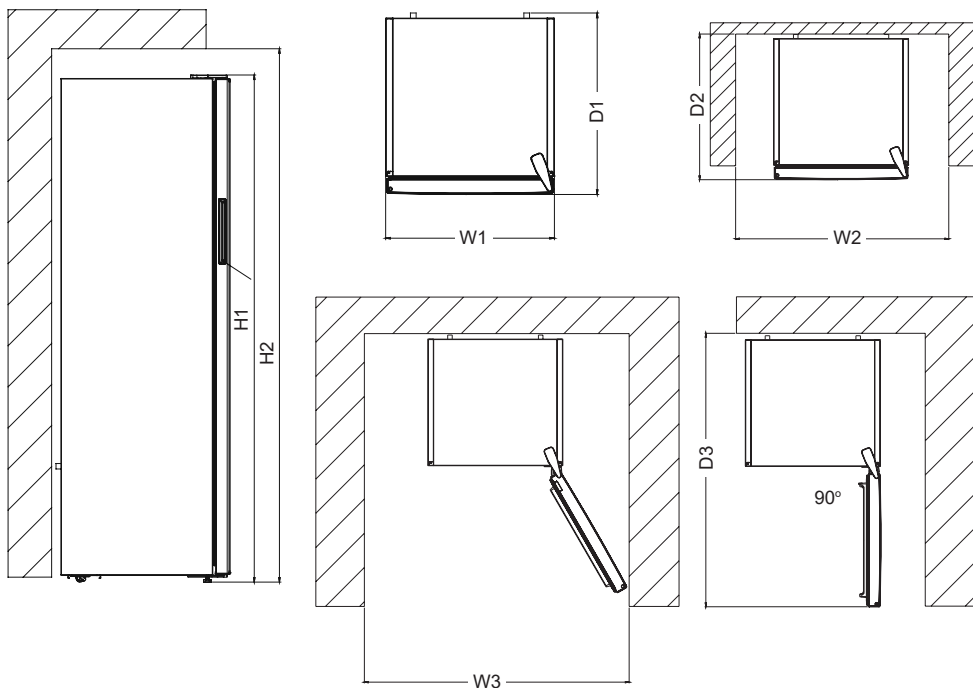
Tento chladicí spotřebič není vhodný pro mražení potravin.



Tato prezentace je pouze informativní a týká se součástí spotřebiče. Části se mohou lišit podle modelu spotřebiče.

- 1) Ovládací panel
- 2) Poličky do chladničky
- 3) Kryt spodní přihrádky na čerstvou zeleninu
- 4) Spodní přihrádka na čerstvou zeleninu
- 5) Nastavitelná nožička
- 6) Přihrádka na lahve
- 7) Poličky ve dveřích
- 8) Poličky ve dveřích
- 9) Podnos na vajíčka *

Rozměry



Celkové rozměry ¹		
H1	mm	1550
W1	mm	595
D1	mm	650

Prostor vyžadovaný v provozu ²		
H2	mm	1700
W2	mm	695
D2	mm	744,1

Celkový prostor vyžadovaný v provozu ³		
W3	mm	981,5
D3	mm	1243,5

TECHNICKÉ ÚDAJE

Technické údaje jsou uvedeny na typovém štítku uvnitř spotřebiče a na energetickém štítku. QR kód na energetickém štítku dodávaném se spotřebičem poskytuje webový odkaz na informace týkající se výkonu spotřebiče v databázi EU EPREL.

Uchovejte si energetický štítek pro referenční potřeby s návodem k použití a všemi ostatními dokumenty dodanými s tímto spotřebičem.

Informace o modelu v databázi výrobků definované v nařízení (EU) 2019/2016 najdete prostřednictvím následujícího internetového odkazu: <https://eprel.ec.europa.eu/qr/400022>

Podrobné informace o energetickém štítku naleznete na adrese www.theenergylabel.eu.

INFORMACE PRO ZKUŠEBNÍ INSTITUTY

Instalace a příprava tohoto spotřebiče pro jakékoliv ověřování EcoDesign musí vyhovovat normě EN 62552. Požadavky na větrání, rozměry výklenku a minimální vzdálenosti zadní části od stěn musí odpovídat hodnotám uvedeným v tomto návodu k použití v ČÁSTI 7. Ohledně dalších informací včetně plnicích plánů se obraťte na výrobce.

PÉČE O ZÁKAZNÍKY A SERVIS

Kontakt na autorizovaný servis najdete na www.lord.eu.

V uvedeném autorizovaném servisu můžete objednat i náhradní díly.

Náhradní díly podle příslušného nařízení ekodesign získáte od autorizovaného servisu během min. 7 nebo 10 let (podle typu náhradních dílů) od uvedení posledního kusu modelu spotřebiče na trh v Evropském hospodářském prostoru.

Před kontaktováním autorizovaného servisu si prosím připravte identifikační značku modelu a sériové číslo.

Identifikační značku modelu a sériové číslo výrobku najdete na výrobním štítku umístěném v dolní části levé stěny uvnitř spotřebiče.

Pro rychlé vyhledání údajů vašeho spotřebiče doporučujeme si údaje z výrobního štítku zapsat do tohoto návodu před umístěním spotřebiče na provozní místo.

Typový štítek se nachází uvnitř mrazícího prostoru dole na levé straně.

Používejte pouze originální náhradní díly.

Obsah

PRED POUŽÍVANÍM CHLADNIČKY	40
Všeobecné upozornenia.....	40
Staré a zastarané chladničky	43
Inštalácia a prevádzka vašej chladničky	44
Pred používaním chladničky	44
Informácie o technológii No-Frost	45
INFORMÁCIE O POUŽITÍ.....	46
Ovládací panel	46
Upozornenia na nastavenia teploty	46
Príslušenstvo.....	47
Ovládač vlhkosti	47
Nastaviteľná polička vo dverách	47
ROZLOŽENIE POTRAVÍN V SPOTREBIČI.....	48
ČISTENIE A ÚDRŽBA.....	49
Odmrazovanie	50
DODANIE A PREMIESTNENIE	50
Zmena pozície dverí.....	51
PRED ZAVOLANÍM DO SERVISU	51
Tipy na úsporu energie.....	52
ČASTI SPOTREBIČE A PRÍSLUŠENSTVO.....	53
TECHNICKÉ ÚDAJE	55
INFORMÁCIE PRE SKÚŠOBNÉ INŠTITÚCIE	55

PRED POUŽÍVANÍM CHLADNIČKY

Všeobecné upozornenia

! **VAROVANIE:** Predchádzajte zablokovaniu vetracích otvorov v plášti spotrebiča alebo v zabudovanej konštrukcii.

! **VAROVANIE:** Nepoužívajte iné mechanické zariadenia alebo iné pomôcky na zrýchlenie procesu rozmrazovania ako sú tie, ktoré odporúča výrobca.

! **VAROVANIE:** Vo vnútri priečinkov na skladovanie potravín v spotrebiči nepoužívajte elektrické spotrebiče, pokiaľ nie sú typu, ktorý odporúča výrobca.

! **VAROVANIE:** Nepoškodte chladiaci okruh.

! **VAROVANIE:** Aby ste predišli nebezpečenstvu spôsobenému nestabilitou spotrebiča, je potrebné ho upevniť podľa týchto pokynov:

! **VAROVANIE:** Pri umiestňovaní spotrebiča sa uistite, že napájací kábel nie je zachytený alebo poškodený.

! **VAROVANIE:** K zadnej strane spotrebiča neumiestňujte prenosné rozvodky alebo prenosné zdroje napätia.

 SYMBOL ISO 7010 W021

Varovanie: Riziko požiaru/horľavých materiálov

- Ak váš spotrebič používa ako chladiacu látku R600a (táto informácia sa nachádza na štítku na chladničky), mali by ste byť opatrní počas prepravy a inštalácie, aby ste predišli poškodeniu chladiacich prvkov. R600a je prírodný plyn šetrný k životnému prostrediu, ale je výbušný. V prípade úniku z dôvodu poškodenia chladiča presuňte chladničku mimo otvoreného ohňa alebo zdrojov tepla a vyvetrajte miestnosť, v ktorej sa spotrebič nachádza.
- Počas umiestňovania a prenášanie chladničky nepoškodte okruh chladiaceho plynu.
- V tomto spotrebiči neskladujte výbušné látky, napr. plechovky s aerosólom.

- Tento spotrebič je určený na používanie v domácnosti a pri podobnom používaní, ako napríklad:
 - kuchynské oblasti pre personál v obchodoch, kanceláriách a v iných pracovných prostrediach;
 - farmárske domy a klienti v hoteloch, motelloch a v iných prostrediach rezidenčného typu;
 - zariadeniach typu nocľah s raňajkami;
 - kateringové a podobné nemaloobchodné použitia.
- Ak sa zástrčka chladničky nezmesť do zásuvky, musí byť zásuvka vymenená kvalifikovanými osobami, aby sa predišlo zraneniu.
- Špeciálne uzemnená zástrčka bola pripojená k napájaciemu káblu vašej chladničky. Táto zástrčka by sa mala používať so špeciálne uzemnenou zásuvkou s výkonom 16 ampérov. Ak sa vo vašej domácnosti žiadna takáto zásuvka nenachádza, dajte si ju nainštalovať autorizovaným elektrikárom.
- Tento spotrebič môžu používať deti staršie ako 8 rokov a osoby so zníženými fyzickými, vnemovými alebo mentálnymi schopnosťami, prípadne nedostatkom skúseností a vedomostí, pokiaľ sú počas prevádzky spotrebiča pod náležitým dozorom alebo vedením v záujme bezpečného používania spotrebiča s vedomím si sprievodných rizík. Deti sa nesmú hrať so spotrebičom. Deti bez dozoru nesmú vykonávať čistenie ani používateľskú údržbu.
- Deti vo veku od 3 do 8 rokov smie nakladať a vykladať chladiace spotrebiče. Deti nemajú vykonávať údržbu alebo čistenie spotrebiča, veľmi malé deti (0 – 3 rokov) nemajú používať spotrebič, malé deti (3 – 8 rokov) nemajú používať spotrebič, ak sú bez stáleho dozoru, staršie deti (8 – 14 rokov) a ľudia s obmedzenými fyzickými alebo duševnými

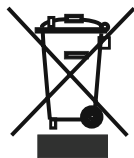
schopnosťami môžu používať spotrebiče bezpečne, ak sú pod dozorom alebo boli o bezpečnom použití spotrebiča náležite poučení. Ľudia s veľmi obmedzenými schopnosťami nemajú používať spotrebič, kým nie sú pod stálym dozorom.

- Ak je napájací kábel poškodený, výrobca, autorizované servisné stredisko alebo iná náležite kvalifikovaná osoba ho musí vymeniť, aby nemohlo dôjsť k ublíženiu na zdraví.
- Tento spotrebič nie je určený na použitie v nadmorských výškach nad 2000 m.

Aby nedošlo ku kontaminácii jedla, dodržujte prosím nasledujúce pokyny:

- Ponechanie dvierok v otvorenom stave po dlhú dobu môže spôsobiť výrazný narástť teploty vnútri oddelenia spotrebiča.
- Pravidelne očisťujte povrchy, ktoré prichádzajú do kontaktu s jedlom, a tiež prístupné odtokové systémy.
- Surové mäso a ryby uchovávajte v chladničke vo vhodných kontajneroch, aby nedochádzalo k ich kontaktu s inými potravinami alebo kvapnutiu na ne.
- Oddelenie pre mrazené potraviny označené dvoma hviezdčkami sú vhodné pre uchovávanie vopred zmrazených potravín, uchovávanie alebo výrobu zmrzliny a výrobu ľadových kociek. (ak je súčasťou spotrebiča)
- Oddelenie označené jednou, dvoma alebo tromi hviezdčkami nie sú vhodné pre zmrazenie čerstvého jedla. (ak je súčasťou spotrebiča)
- Ak chladiace zariadenie je ponechané prázdne po dlhú dobu, je nutné ho vypnúť, rozmraziť, očistiť, osušiť a ponechať dvierka otvorené, aby ste zabránili tvorbe plesní vo vnútri spotrebiča.

Staré a zastarané chladničky



- Ak má vaša stará chladnička zámok, zlomte ho alebo ho odstráňte, pretože deti sa môžu zachytiť dovnútra a môže dôjsť k nehode.
- Staré chladničky a mrazničky obsahujú izolačný materiál a chladivo s freónmi. Preto dbajte na to, aby ste pri likvidácii starých chladničiek nepoškodzovali životné prostredie.

Požiadajte miestne úrady o likvidáciu WEEE, a to za účelom opätovného použitia, recyklácie a obnovy

Balenie a životné prostredie

Obalové materiály chránia váš spotrebič pred poškodením, ku ktorému môže dôjsť pri preprave. Obalové materiály sú šetrné k životnému prostrediu, keďže sú recyklovateľné. Používanie recyklovaných materiálov znižuje spotrebu surovín a tým znižuje tvorbu odpadu.

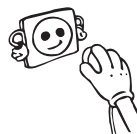


Poznámky:

- Pred inštaláciou a použitím spotrebiča si pozorne prečítajte návod na použitie. Nie sme zodpovední za škody vzniknuté nesprávnym používaním.
- Dodržte pokyny uvedené na spotrebiči a v návode na použitie, tento návod uchovajte na bezpečnom mieste, aby ste mohli vyriešiť problémy, ak k nim v budúcnosti nedôjde.
- Tento spotrebič je vyrobený tak, aby bol použitý v domácnostiach a možno ho použiť iba v domácom prostredí a na špecifikované účely. Nie je určená na komerčné alebo laboratórne použitie. Takéto použitie spôsobí, že záruka stratí platnosť a naša spoločnosť neponesie zodpovednosť za straty, ku ktorým dôjde.
- Tento spotrebič je vyrobený tak, aby sa používal v domácnostiach a je vhodný iba pre skladovanie / chladenie potravín. Nie je vhodný na komerčné použitie a/alebo skladovanie látok iných ako sú potraviny. Naša spoločnosť nezodpovedá za straty, ku ktorým dôjde v opačnom prípade.

Bezpečnostná varovania

- Nepoužívajte rozdvójky ani predlžovací kábel.
- Nezapájajte do starých, poškodených alebo opotrebovaných zásuviek.
- Kábel neťahajte, neohýbajte alebo nepoškodzujte.



- Tento spotrebič je navrhnutý na použitie dospelými osobami, nedovoľte deťom, aby sa so spotrebičom hrali alebo sa vešali na dvere.
- Nezapájajte do zásuvky ak máte mokré ruky, mohlo by dôjsť k úrazu elektrickým prúdom!
- Do chladničky nekladajte výbušný alebo horľavý materiál. Nápoje s vyšším obsahom alkoholu umiestnite vertikálne pričom ich hrdlá v chladničke pevne uzatvorte.



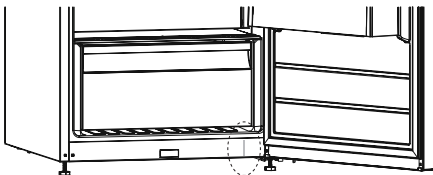
- Hornú časť chladničky nezakrývajte. Ovplyvní to výkonnosť chladničky.
- Príslušenstvo v chladničke počas prepravy upevnite, aby ste predišli jeho poškodeniu.



- Nepoužívajte zástrčkový adaptér.



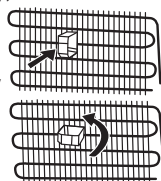
- Ak sú dvere chladničky zatvorené, vytvorí sa nepriedušné tesnenie. Pred opätovným otvorením počkajte asi 1 minútu.
- Toto použitie je voliteľné pre jednoduché otváranie dverí. S týmto druhom používania sa môže okolo tejto oblasti vyskytnúť slabá kondenzácia, ktorú môžete odstrániť.



Inštalácia a prevádzka vašej chladničky

Pred spustením chladničky musíte venovať pozornosť nasledujúcim bodom:

- Prevádzkové napätie vašej chladničky je 220-240 V pri 50 Hz.
- Nenesieme zodpovednosť za škody, ku ktorým dôjde v dôsledku neuzemnenia.
- Chladničku umiestnite na miesto, kde nebude vystavená priamemu slnečnému svetlu.
- Váš spotrebič by sa mal nachádzať vo vzdialenosti aspoň 50 cm od sporáka, rúr a mal by sa nachádzať vo vzdialenosti aspoň 5 cm od elektrických rúr.
- Nikdy by sa nemal používať v exteriéri alebo nechávať na daždi.
- Keď sa chladnička umiestni vedľa mraziacej skrine, mal by sa medzi nimi nachádzať priestor aspoň 2 cm, aby sa predišlo vyzrážaniu vlhkosti na vonkajšom povrchu.
- Na chladničku nič nedávajte a chladničku inštalujte na vhodné miesto, aby bolo dostupných aspoň 15 cm na hornej strane.
- Ak svoju chladničku umiestnite vedľa kuchynskej linky, ponechajte medzi nimi priestor 2 cm.
- Plastové vložky umiestnite do kondenzátora v zadnej časti chladničky, aby ste predišli pritlačenie na stenu a zaistili tak dobrý výkon.
- Nainštalujte plast na nastavenie vzdialenosti (diel s čiernymi lopatkami na zadnej strane) otočením o 90° tak, ako je zobrazené na obrázku, aby sa predišlo tomu, že sa kondenzátor dotkne steny.
- Chladnička musí byť umiestnená proti stene vo vzdialenosti nepresahujúcej 75 mm.
- Nastaviteľné predné nožičky by sa mali stabilizovať v príslušnej výške, aby mohla chladnička fungovať stabilným a správnym spôsobom. Nožičky môžete nastaviť otočením v smere hodinových ručičiek (alebo naopak). Toto by sa malo vykonať pred vložením potravín do chladničky.
- Pred použitím chladničky utrite všetky diely vlažnou vodou s pridanou plnou čajovou lyžičkou sódy bikarbóny, potom ich následne opláchnite čistou vodou a vysušte. Po vyčistení všetky diely dajte na svoje miesto.



Pred používaním chladničky

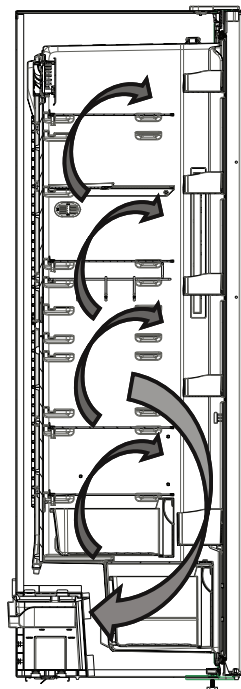
- Pri prvom spustení alebo pri spustení po preprave nechajte chladničku stáť 3 hodiny a až potom zapojte. V opačnom prípade poškodíte kompresor.
- Vaša chladnička môže pri prvom spustení trochu zapáchať, zápach zmizne akonáhle chladnička začne chladieť.



Informácie o technológii No-Frost

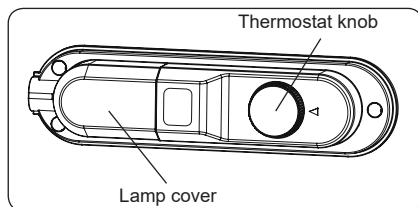
Chladničky s technológiou No-Frost sa odlišujú od iných statických chladničiek svojím princípom prevádzky.

V prípade chladničiek s technológiou No-Frost je situácia úplne odlišná. Pomocou ventilátora sa do priečinka chladničky rovnomerne a rovnako fúka suchý a chladný vzduch z viacerých bodov. Chladný vzduch rovnomerne a rovnako rozvádzaný medzi policami chladí všetky potraviny rovnomerne a rovnako, čím sa predchádza vlhkosti a zamrznaniu. Preto vaše chladničky s technológiou No-Frost ponúkajú okrem obrovskej kapacity a štýlového vzhľadu aj jednoduché používanie.



INFORMÁCIE O POUŽITÍ

Ovládací panel



Dôležitá poznámka: Nepokúšajte sa otáčať gombíkom nad polohu 1, zastaví to vaše zariadenie.

• Termostat automaticky reguluje teplotu vnútorného priestoru chladničky a mrazničky. Prostredníctvom otáčania gombíka z polohy 1 do 5.(najchladnejšie nastavenie) možno získať chladnejšie teploty.

Upozornenia na nastavenia teploty

- Pred dokončením nastavenia neprechádzajte na iné nastavenie.
- Nastavenie teploty by sa malo nastaviť so zohľadnením frekvenciu otvárania a zatvárania dvierok chladničky, množstva uskladnených potravín a od teploty prostredia, v ktorom sa chladnička nachádza.
- V závislosti od okolitej teploty musí chladnička fungovať nepretržite až 24 hodín, aby sa úplne ochladila po prvom pripojení. Počas tohto obdobia neotvárajte pravidelne dvere chladničky a nedávajte do nej nadmerné množstvo potravín.
- Aby ste zabránili akémukoľvek poškodeniu kompresora chladničky, keď chcete po odpojení chladničky alebo po obnovení výpadku elektrickej energie znova zapnúť chladničku, existuje funkcia, ktorá spôsobuje, že chladnička funguje po 5 minútovom oneskorení. Vaša chladnička začne po 5 minútach normálne fungovať.
- Vaša chladnička bola navrhnutá na prevádzku pri okolitej teplote uvedenej v údajoch, zodpovedajúcej klimatickej triede uvedenej na informačnom štítku. Pre účinnosť chladenia sa odporúča prevádzka chladničky v prostrediach s hodnotami teploty, ktoré nie sú v súlade s uvedenými podmienkami.

- rozšírená mierna: tento chladiaci spotrebič je určený na používanie pri teplote okolia od 10 °C do 32 °C (SN);

- mierna: tento chladiaci spotrebič je určený na používanie pri teplote okolia od 16 °C do 32 °C (N);

- subtropická: tento chladiaci spotrebič je určený na používanie pri teplote okolia od 16 °C do 38 °C (ST);

- tropická: tento chladiaci spotrebič je určený na používanie pri teplote okolia od 16 °C do 43 °C (T);

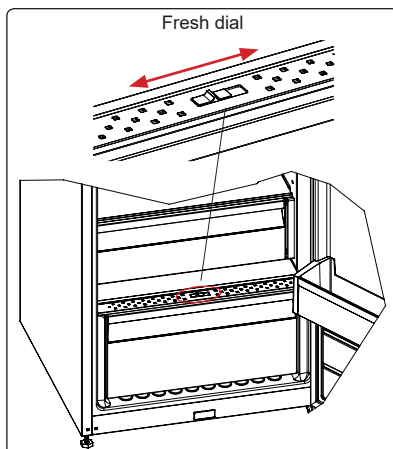
Príslušenstvo

Ovládač vlhkosti

Keď je ovládač vlhkosti v zatvorenej polohe, umožní to dlhšie uskladnenie čerstvého ovocia a zeleniny.

Ak je kontajner úplne plný, otvor na čerstvý vzduch, ktorý sa nachádza pred kontajnerom, treba otvoriť. Pomocou tohto vzduchu sa bude ovládať množstvo vlhkosti v kontajneri a môžete zvýšiť životnosť.

Ak na sklenenej policičke uvidíte nejakú kondenzáciu, ovládanie vlhkosti by ste mali dať do otvorenej polohy.



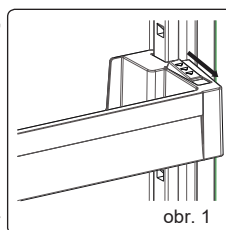
Nastaviteľná policička vo dverách (pri niektorých modeloch)

K vytvoreniu úložných plôch, ktoré potrebujete, môžete použiť nastaviteľnú policičku vo dverách.

Ak chcete zmeniť pozíciu nastaviteľnej policičky vo dverách ;

Podržte tlačidlo policičky a zatlačte na tlačidlá po stranách policičky vo dverách v smere šípky. (Obr. 1)

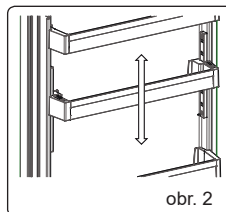
Poličku vo dverách umiestnite do potrebnej výšky, posunutím nahor a nadol.



obr. 1

Po dosiahnutí požadovanej pozície policičky vo dverách uvoľnite tlačidlá po stranách policičky (Obr. 2). Pred uvoľnením policičky vo dverách ju presuňte hore a dole a uistite sa, či je policička vo dverách upevnená.

Poznámka: Pred presunutím naplnenej policičky vo dverách musíte policičku pridržať pomocou tlačidla. V opačnom prípade by mohla policička vo dverách v dôsledku hmotnosti vyklízuť z drážok. Tak by sa mohla policička vo dverách alebo drážky poškodiť.



obr. 2

Vizuálne a textové popisy na časti príslušenstva sa môžu odlišovať v závislosti od modelu spotrebiča.

ROZLOŽENIE POTRAVÍN V SPOTREBIČI

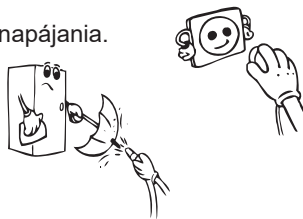
- Za normálnych prevádzkových podmienok je nastavenie hodnoty teploty v chladiacej časti chladničky na 4 °C dostatočné.
- Aby ste znížili vlhkosť a následnú tvorbu námrazy, nikdy nedávajte do chladničky neuzatvorené tekutiny do neutesnených nádob. Námraza má tendenciu sa koncentrovať na najchladnejších miestach výparníka a po čase bude vyžadovať častejšie rozmrazovanie.
- Do chladničky nikdy nedávajte teplé potraviny. Teplé potraviny by ste mali nechať vychladnúť pri izbovej teplote a mali by sa rozložiť tak, aby sa zabezpečila dostatočná cirkulácia vzduchu v priečniku chladničky.
- Nič by sa nemalo dotýkať zadnej steny, pretože to spôsobí námrazu a balenia sa môžu prilepiť k zadnej stene. Dvierka chladničky často neotvárajte.
- Umiestnite mäso a očistené ryby (zabalené v balíčkoch alebo plastových fóliách), ktoré použijete za 1 až 2 dni do spodnej časti priečniku chladničky (nad priečnikom pre jemné potraviny), pretože je to najchladnejšia časť a zaručí najlepšie podmienky skladovania.
- Do priečniku pre jemné potraviny môžete vkladať ovocie a zeleninu bez balenia.
- Za normálnych prevádzkových podmienok bude dostatočné upraviť nastavenie teploty chladničky na +4 °C.
- Teplota chladiaceho priestoru musí byť v rozmedzí 0 – 8 °C, čerstvé potraviny sa pri teplote nižšej ako 0 °C pokrývajú ľadom a pokazia sa, bakteriálne zaťaženie sa zvyšuje nad 8 °C a potraviny sa pokazia.
- Horúce potraviny nevkladajte do chladničky ihneď, počkajte, kým teplota vprchá. Horúce potraviny zvyšujú stupeň chladničky a spôsobia otravu jedlom a zbytočné pokazenie potravín.
- Mäso, ryby atď. sa musia uchovávať v chladiacom priestore na potraviny a priehradka na zeleninu sa uprednostňuje na zeleninu (ak je dostupná).
- Na zamedzenie krížovej kontaminácii neskladujte mäsové výrobky spolu s ovocím a zeleninou.
- Potraviny vkladajte do chladničky v uzavretých nádobách alebo zakryté, aby sa predišlo vlhkosti a zápachom.

POZNÁMKA: Zemiaky, cibule a cesnak by sa v chladničke nemali skladovať.

Potraviny	Maximálny čas skladovania	Miesto umiestnenia v priečniku chladničky
Zelenina a ovocie	1 týždeň	Priehradka na zeleninu
Mäso a ryby	2 - 3 dni	Zabalené v plastovej fólii alebo vo vreckách, prípadne v nádobe na mäso (na sklenenej poličke)
Čerstvý syr	3 - 4 dni	V špeciálnej poličke vo dverách
Maslo a margarín	1 týždeň	V špeciálnej poličke vo dverách
Fľaškové produkty mlieko a jogurt	Až do dátumu spotreby odporúčaného výrobcom	V špeciálnej poličke vo dverách
Vajíčka	1 mesiac	V poličke na vajíčka
Varené potraviny		Všetky poličky

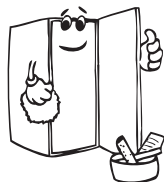
ČISTENIE A ÚDRŽBA

- Než vykonáte čistenie, odpojte zariadenie od napájania.

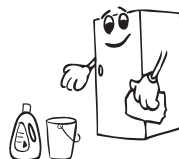


- Spotrebič nečistíte naliatím vody.

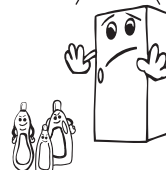
- Chladnička musí byť čistená pravidelne, roztokom jedlej sódy a vlažnej vody.



- Príslušenstvo vyčistíte samostatne pomocou mydla a vody. Nečistíte ho v umývačke riadu.



- Nepoužívajte abrazívne prostriedky, mydlá. Po umytí opláchnite čistou vodou a dôkladne osušte. Po dokončení čistenia opätovne pripojte zástrčku spotrebiča suchými rukami.



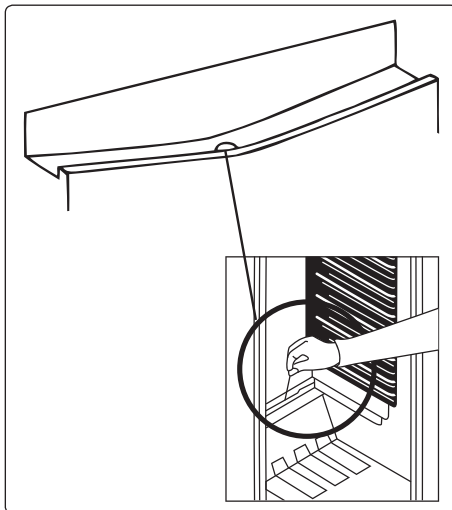
- Raz do roka by ste mali vyčistiť kondenzátor (zadnú časť spotrebiča) metlou, aby sa zabezpečila úspora energie a zvýšila produktivita.



MUSÍ SA ODPOJIŤ SIEŤOVÉ NAPÁJANIE.

Odmrazovanie

Odmrazovanie chladiaceho oddelenia



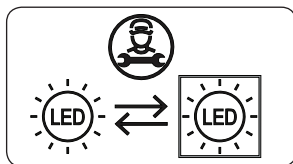
- V časti chladničky sa odmrazovanie uskutočňuje automaticky počas chodu spotrebiča, voda sa automaticky vyparuje.
- Tácka výparníka a otvor pre odvod vody z odmrazovania by mali byť periodicky čistené spolu so zátkou pre odtok vody z odmrazovania. Predídete nahromadeniu vody na dne chladničky namiesto jej odtoku.

Výmena kontrolky LED

Ak chcete vymeniť LED diódy, obráťte sa na najbližšie autorizované servisné stredisko.



Poznámka: Počet pásov LED diód a ich umiestnenie sa môže meniť v závislosti od modelu.



Tento výrobok obsahuje svetelný zdroj triedy energetickej účinnosti <F>.

DODANIE A PREMIESTNENIE

- Originálne balenie a penovú výplň si môžete uschovať pre opätovnú prepravu (voliteľne).
- Chladničku by ste mali dať do hrubého balenia, upevniť páskami alebo silnými špagátmi a postupovať podľa pokynov prepravy balenia za účelom opätovného prepravenia.
- Vyberte pohyblivé diely (poličky, príslušenstvo, priečinky na zeleninu atď.) alebo ich upevnite v chladničke k zárážkam pomocou pásov počas premiestňovania a prepravy.

! **Chladničku prenášajte vo vzpriamenej polohe.**

Zmena pozície dverí

- Smer otvárania dvierok vašej chladničky sa nedá zmeniť, ak sú rukoväte dverí na vašej chladničke nainštalované z predného povrchu dvierok.
- Môžete zmeniť smer otvárania na dvierkach modelov, ktoré neobsahujú žiadne rukoväte.
- Či sa smer otvárania dvierok vašej chladničky dá zmeniť, by ste sa mali informovať v najbližšom autorizovanom servise, kde môžete požiadať o zmenu smeru otvárania.

PRED ZAVOLANÍM DO SERVISU

Ak chladnička nefunguje správne, môže sa jednať o malý problém, preto pred kontaktovaním elektrikára kvôli úspore času a peňazí skontrolujte tieto.

Čo robiť, ak váš spotrebič nefunguje:

Skontrolujte, či:

- Nie je žiadne napájanie,
- Hlavný domáci vypínač je odpojený,
- Zásuvka je dostačujúca. Aby ste do skontrolovali, zapojte do rovnakej zásuvky iný spotrebič, o ktorom viete, že funguje.

Čo robiť, ak váš spotrebič nefunguje dobre:

Skontrolujte, či:

- ste spotrebič nepreťažili,
- je teplota mrazničky nastavená na 2.
- dvere dokonale priliehajú,
- na kondenzátore nie je prach,
- je v zadnej časti a po stranách dostatok miesta.

Ak je vaša chladnička nadmerne hlučná:

Normálne zvuky

Krátke praskanie: Môžete ho počuť, keď termostat zapne a vypne kompresor.

Zvuk kompresora: Normálny zvuk motora. Tento hluk znamená, že kompresor normálne funguje. Kompresor môže krátky čas vydávať väčšiu hlučnosť, keď sa aktivuje.

Bublajúci a čľapotajúci hluk: Tento hluk spôsobuje prietok chladiacej látky v rúrkach systému.

Hluk prietoku vody: Normálny zvuk tečúcej vody odtekajúcej do výparníka počas odmravovania. Tento hluk môžete počuť počas rozmrazovania.

Zvuk fúkania vzduchu: Normálny zvuk ventilátora. Tento zvuk vydáva chladnička počas normálnej prevádzky systému v dôsledku cirkulácie vzduchu.

Ak sú teplé hrany priestoru chladničky, ktoré sú v kontakte s pántami dvierok;

Obzvlášť počas leta (horúce počasie) sa povrchy, s ktorými sú v kontakte pánty, môžu zahrievať počas prevádzky kompresora. Je to normálne.

Ak sa vytvorí vlhkosť v chladničke:

- Sú všetky potraviny správne zabalené? Vysušili sa priečinky pred ich vloženíím do chladničky?
- Sú dvere chladničky často otvárané? Keď sa otvoria dvere, do chladničky sa dostane vlhkosť z miestnosti. Pri častom otváraní dverí sa vlhkosť bude tvoriť rýchlejšie, najmä ak je vysoká vlhkosť v miestnosti.

Ak sa dvere zle zatvárajú alebo otvárajú;

- Nebránia dverám v zatváraní balíky potravín?
- Sú priečinky dverí, police a zásuvky správne uložené?
- Sú poškodené alebo roztrhnuté spoje dvierok?
- Je vaša chladnička na rovnom povrchu?

DÔLEŽITÉ POZNÁMKY:

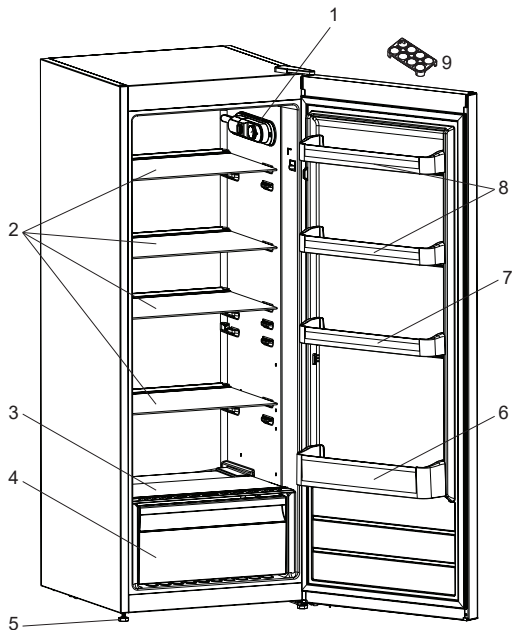
- Funkcia ochrany kompresora sa aktivuje po nečakanom prerušení napájania alebo po odpojení spotrebiča, pretože plyn v chladiacom systéme sa ešte nestabilizoval. Váš spotrebič sa spustí po 5 minútach, takže sa nemáte prečo strachovať.
- Ak chladničku nebudete dlhý čas používať (napr. počas letných prázdnin), odpojte ju. Chladničku vyčistite v súlade s pokynmi v časti „ČISTENIE A ÚDRŽBA“ a nechajte dvere otvorené, aby ste tak zabránili hromadeniu vlhkosti a zápachu.
- Ak chcete prístroj úplne vypnúť, odpojte ho od sieťovej zásuvky (kvôli čisteniu a s ponechanými otvorenými dverami)
- Ak problém pretrváva aj potom, čo ste postupovali podľa vyššie uvedených pokynov, kontaktujte najbližšie autorizované servisné stredisko.
- Uvedená životnosť vášho spotrebiča, ktorú deklarovalo oddelenie priemyslu je 10 rokov (obdobie uchovávanía potrebných dielov pre správne fungovanie spotrebiča).

Tipy na úsporu energie

- 1– Spotrebič nainštalujte v chladnej a dobre vetranej miestnosti, ale nie na priamom slnečnom svetle alebo v blízkosti zdrojov tepla (radiátor, sporák atď.). V opačnom prípade použite izolačnú platňu.
- 2– Teplé potraviny a nápoje nechajte vychlaďiť mimo spotrebiča.
- 3– Keď roztápate mrazené potraviny, umiestnite ich do priečinka chladničky. Nízka teplota zmrazených potravín vychlaďí počas rozmrazovania priestor chladničky. Tak ušetríte energiu. Ak rozmrazujete zmrazené potraviny mimo spotrebiča, k úspore energie nedôjde.
- 4– Keď vkladáte nápoje a kvapaliny, musia byť zakryté. V opačnom prípade sa zvýši vlhkosť v spotrebiči. Z tohto dôvodu sa predĺži pracovný čas. Zakrytie nápojov tiež zabraňuje tomu, aby nasiakli ostatnému zápalch.
- 5– Pri vkladaní potravín a nápojov otvorte dvierka spotrebiča na čo možno najkratší čas.
- 6– Kryty ktoréhokoľvek priečinka spotrebiča s odlišnou teplotou nechajte zatvorené (priečinok pre jemné potraviny, chladiaci priečinnok atď.).
- 7– Tesnenie dvierok musí byť čisté a pružné. Ak sú tesnenia opotrebované, vymeňte ich.

ČASTI SPOTREBIČE A PRÍSLUŠENSTVO

Tento chladiaci spotrebič nie je určený na použitie ako vstavaný spotrebič.
Tento chladiaci spotrebič nie je vhodný na mrazenie potravín.

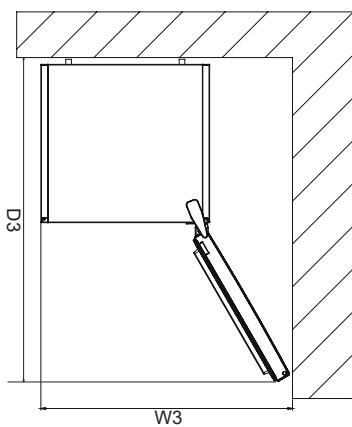
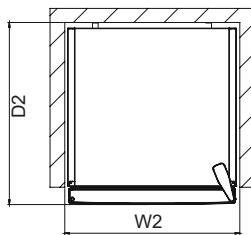
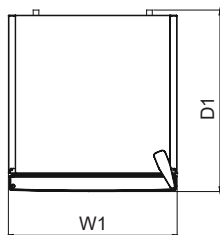
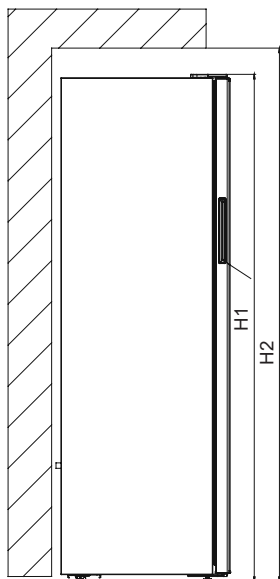


Táto prezentácia slúži len pre informáciu o dieloch v spotrebiči.
Časti sa môžu podľa modelu spotrebiča líšiť.

- 1) Ovládací panel
- 2) Poličky chladničky
- 3) Kryt dolnej zásuvky na ovocie a zeleninu
- 4) Dolná zásuvka na ovocie a zeleninu
- 5) Vyrovnávací nožička
- 6) Polička na fľaše

- 7) Nastaviteľné poličky vo dverách* / Horné poličky vo dverách
- 8) Poličky na dverách
- 9) Držiak na vajčička

* U niektorých modelov



Celkové rozmery ¹		
H1	mm	1550
W1	mm	595
D1	mm	650

Priestor potrebný pri používaní		
H2	mm	1700
W2	mm	695
D2	mm	744,1

Celkový priestor potrebný pri používaní ³		
W3	mm	981,5
D3	mm	1243,5

TECHNICKÉ ÚDAJE

Technické informácie sa nachádzajú na výrobnom štítku na vnútornej strane spotrebiča a na energetickom štítku.

QR kód na energetickom štítku dodanom so spotrebičom poskytuje webový odkaz na informácie súvisiace s výkonom spotrebiča v databáze EU EPREL.

Energetický štítok si uchovajte na použitie spolu s používateľskou príručkou a všetkými ostatnými dokumentmi poskytovanými s týmto spotrebičom.

Informácie o modeli v databáze výrobkov definované v nariadení (EÚ) 2019/2016 nájdete prostredníctvom nasledujúceho internetového odkazu: <https://eprel.ec.europa.eu/qr/400022>

Podrobnejšie informácie o energetickom štítku nájdete na odkaze www.theenergylabel.eu.

INFORMÁCIE PRE SKÚŠOBNÉ INŠTITÚCIE

Montáž a príprava spotrebiča na overenie ekodizajnu je v súlade s normou EN 62552. Požiadavky na ventiláciu, rozmery na zapustenie a minimálna zadná vôľa sa uvádzajú v tejto používateľskej príručke v ČASTI 1. V prípade akýchkoľvek ďalších informácií vrátane plánov naplnenia sa obráťte na výrobcu.

Kontaktné informácie autorizovaného servisného strediska nájdete na www.lord.eu.

Náhradné diely je možné objednať aj v autorizovanom servisnom stredisku.

Podľa príslušných predpisov o ekodizajne je možné náhradné diely získať v autorizovanom servisnom stredisku najmenej 7 alebo 10 rokov (na základe typu náhradných dielov) od uvedenia posledného modelu spotrebiča na trh v Európskom hospodárskom priestore.

Skôr ako sa obrátíte na autorizované servisné stredisko, majte po ruke identifikačnú značku modelu a sériové číslo.

Identifikačný kód modelu a sériové číslo produktu nájdete na typovom štítku umiestnenom v dolnej časti ľavej steny vo vnútri spotrebiča.

Odporúčame, aby ste do tohto manuálu zapísali údaje z výrobného štítku, skôr ako umiestnite spotrebič na miesto, kde bude prevádzkovaný, aby bolo možné údaje neskôr ľahko nájsť.

Používajte len originálne náhradné diely.

LORD Hausgeräte GmbH

Greschbachstraße 17

76229 Karlsruhe

Deutschland

info@lord.eu

www.lord.eu



52344888

